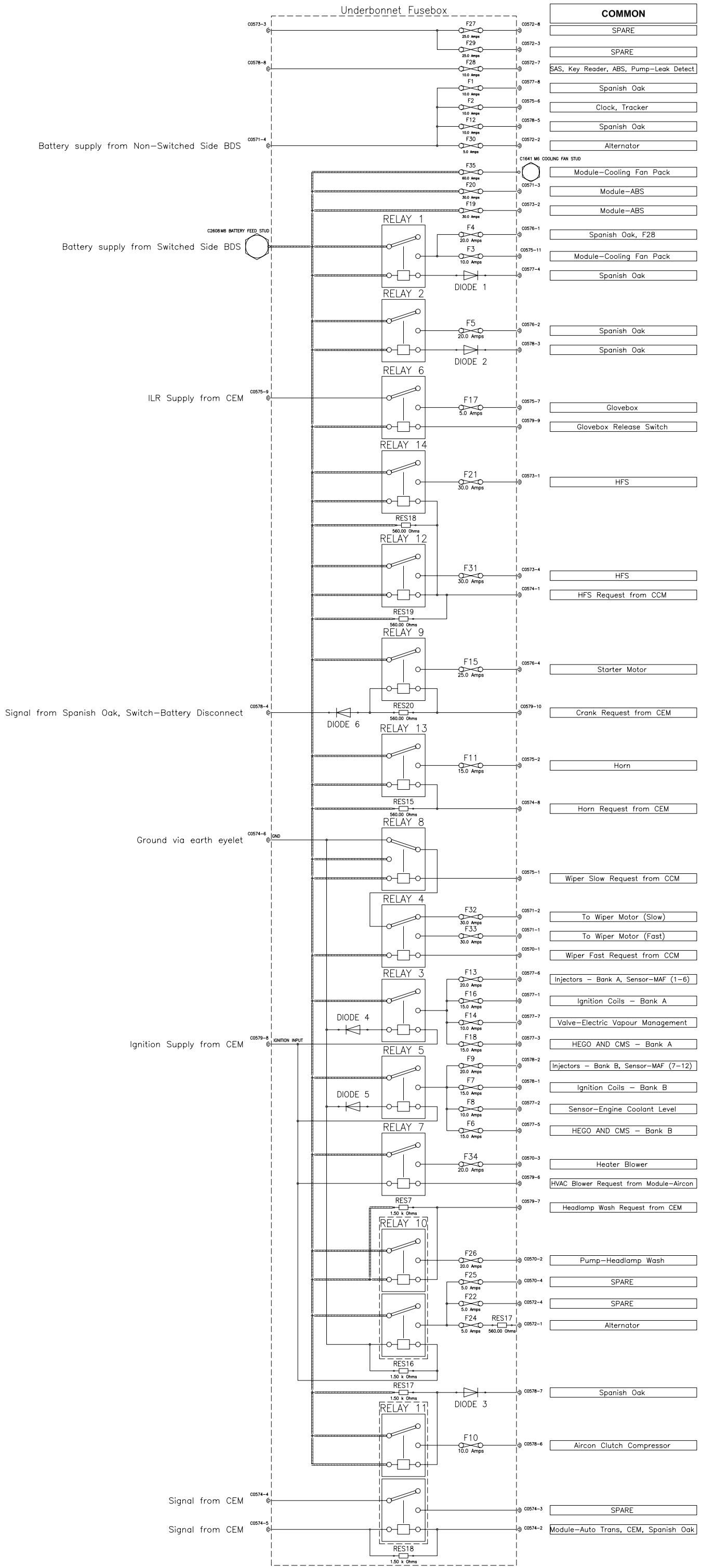
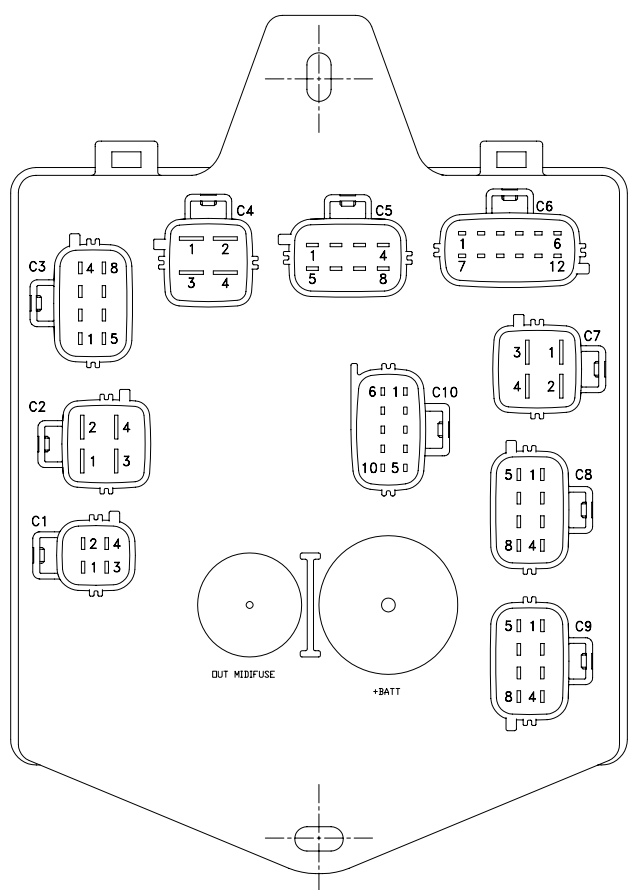


Underbonnet Fusebox



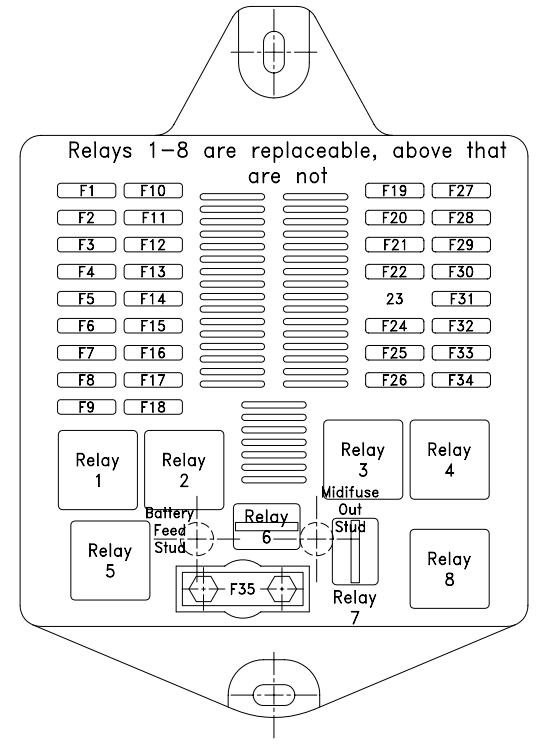
COMMON	
00572-8	SPARE
00572-3	SPARE
00572-7	SAS, Key Reader, ABS, Pump-Leak Detect
00577-8	Spanish Oak
00575-6	Clock, Tracker
00578-5	Spanish Oak
00572-2	Alternator
C1641 M6 COOLING FAN STUD	Module-Cooling Fan Pack
00571-3	Module-ABS
00573-2	Module-ABS
00576-1	Spanish Oak, F28
00575-11	Module-Cooling Fan Pack
00577-4	Spanish Oak
00576-2	Spanish Oak
00578-3	Spanish Oak
00575-9	Glovebox
00579-9	Glovebox Release Switch
00573-1	HFS
00573-4	HFS
00574-1	HFS Request from CCM
00576-4	Starter Motor
00579-10	Crank Request from CEM
00575-2	Horn
00574-8	Horn Request from CEM
00575-1	Wiper Slow Request from CCM
00571-2	To Wiper Motor (Slow)
00571-1	To Wiper Motor (Fast)
00570-1	Wiper Fast Request from CCM
00577-6	Injectors - Bank A, Sensor-MAF (1-6)
00577-1	Ignition Coils - Bank A
00577-7	Valve-Electric Vapour Management
00577-3	HEGO AND CMS - Bank A
00578-2	Injectors - Bank B, Sensor-MAF (7-12)
00578-1	Ignition Coils - Bank B
00577-2	Sensor-Engine Coolant Level
00577-5	HEGO AND CMS - Bank B
00570-3	Heater Blower
00579-6	HVAC Blower Request from Module-Aircon
00579-7	Headlamp Wash Request from CEM
00570-2	Pump-Headlamp Wash
00570-4	SPARE
00572-4	SPARE
00572-1	Alternator
00578-7	Spanish Oak
00578-6	Aircon Clutch Compressor
00574-3	SPARE
00574-2	Module-Auto Trans, CEM, Spanish Oak



VIEW THROUGH BASE

VIEW THROUGH LID

FUSEBOX CONNECTOR	CIRCUIT C. NUMBER	HARNESS
1	C0570	Forward
2	C0571	Forward
3	C0572	Forward
4	C0573	Forward
5	C0574	Forward
6	C0575	Forward
7	C0576	Engine
8	C0577	Engine
9	C0578	Engine
10	C0579	Forward



Relays 1-8 are replaceable, above that are not



DRAWN BY AP  
DATE 13-07-07

TITLE ENGINE BAY / UNDERBONNET FUSEBOX  
SUB-SYSTEM TITLE 4G43-14A173-AF

PROJECT VH105/135 CPSC 00.06.51 AML DRG No.  
BUILD IB REV LEVEL 1 8G43-14T400-AA